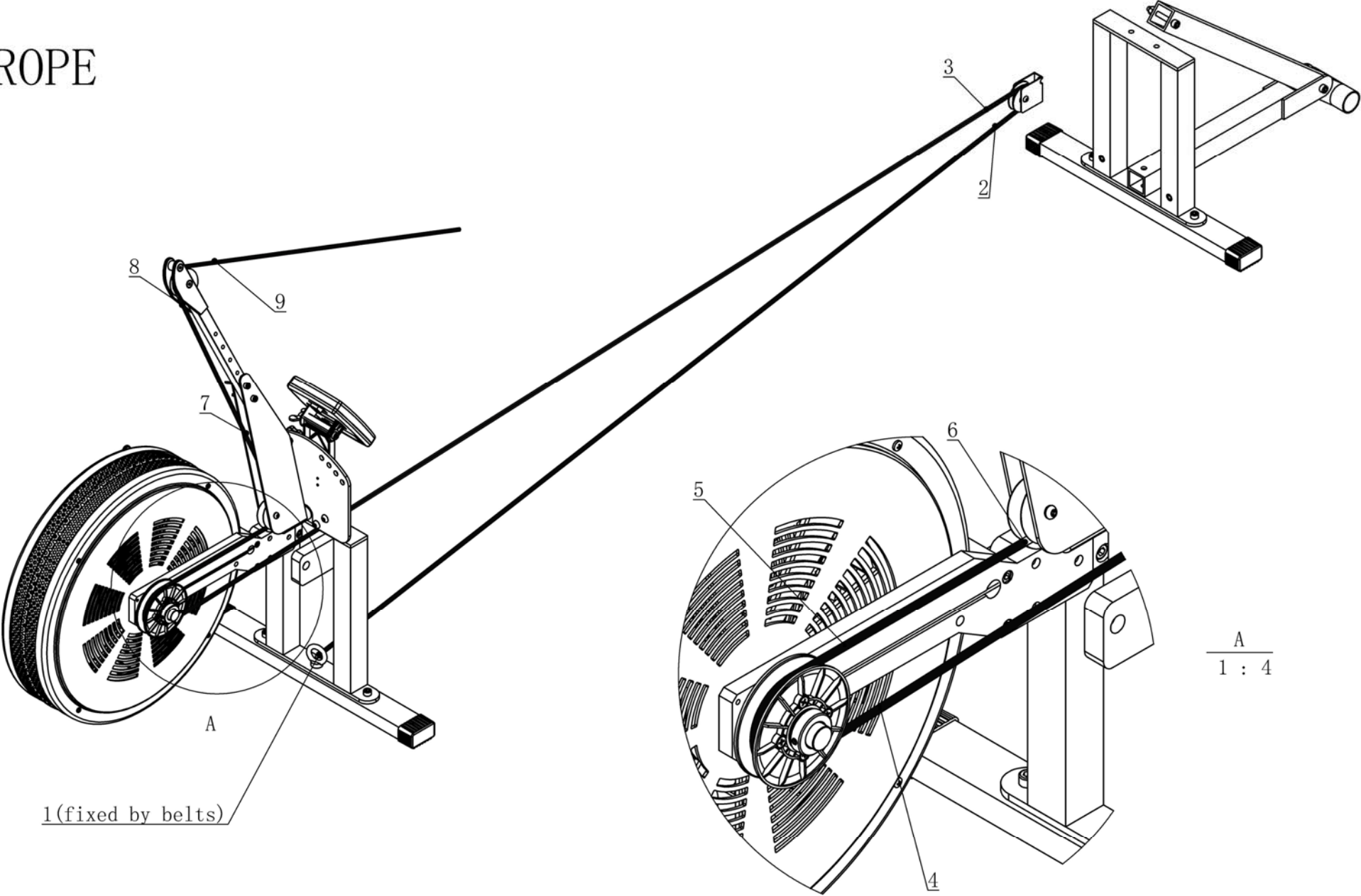
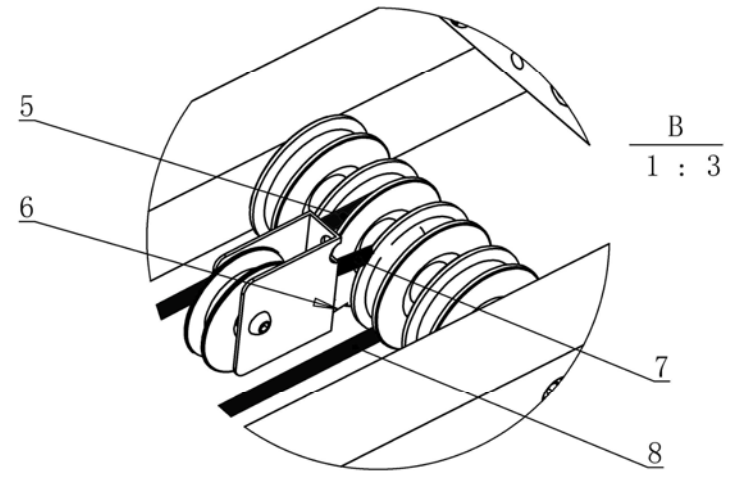
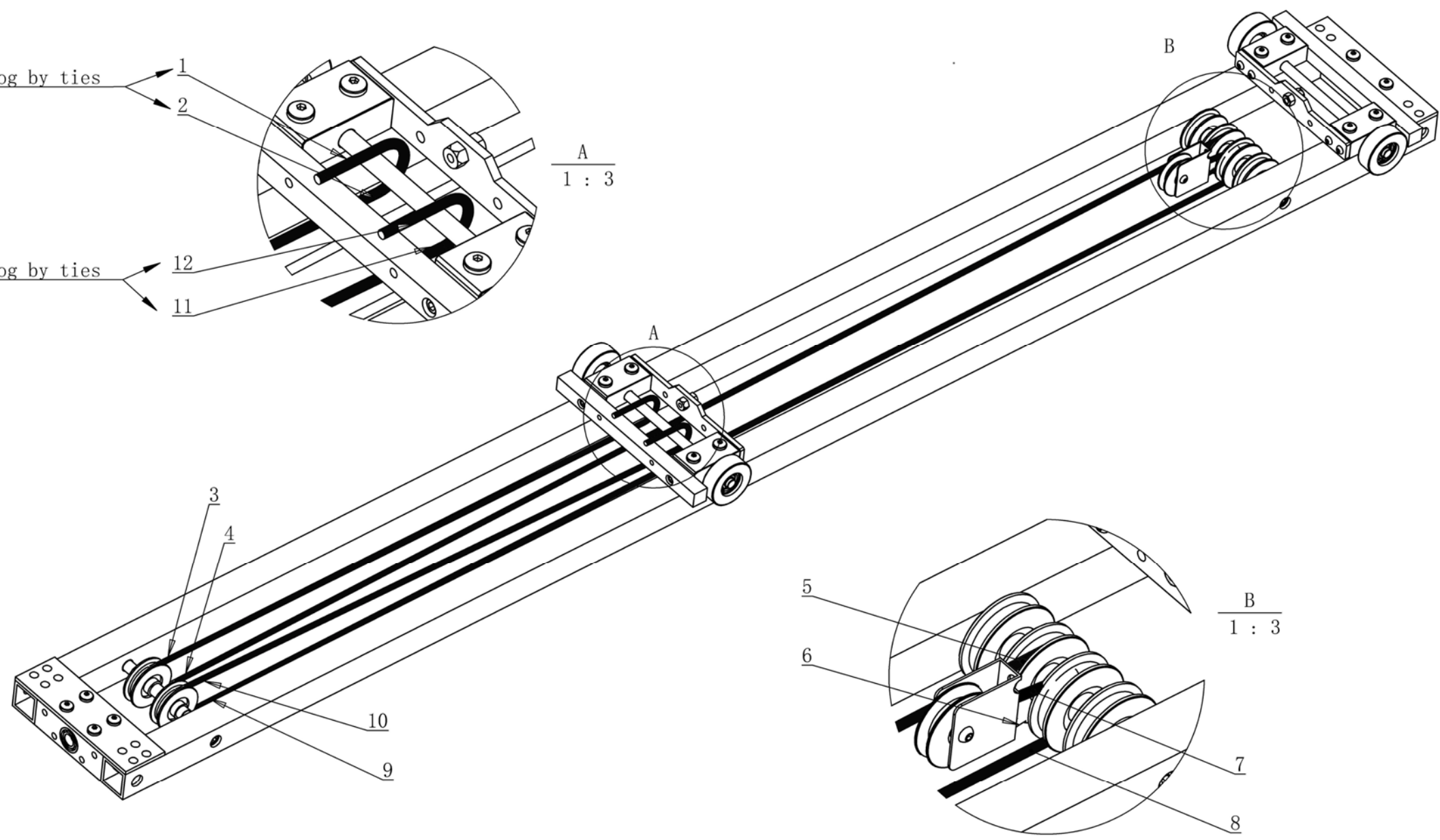
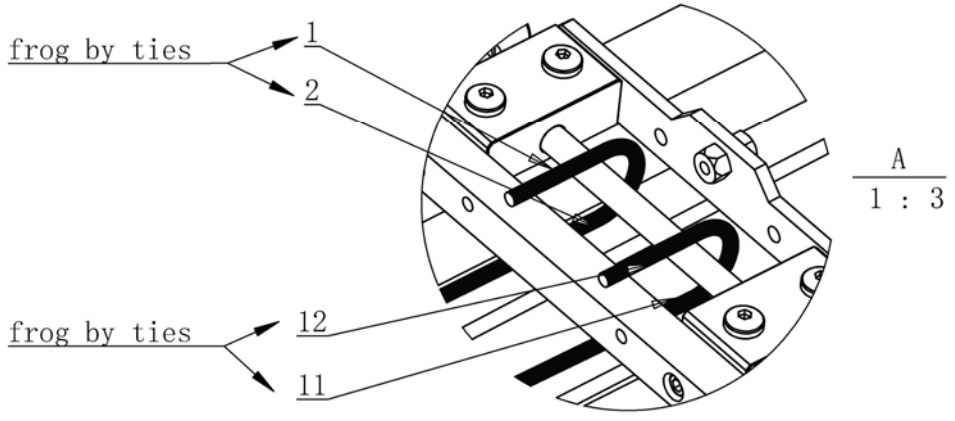
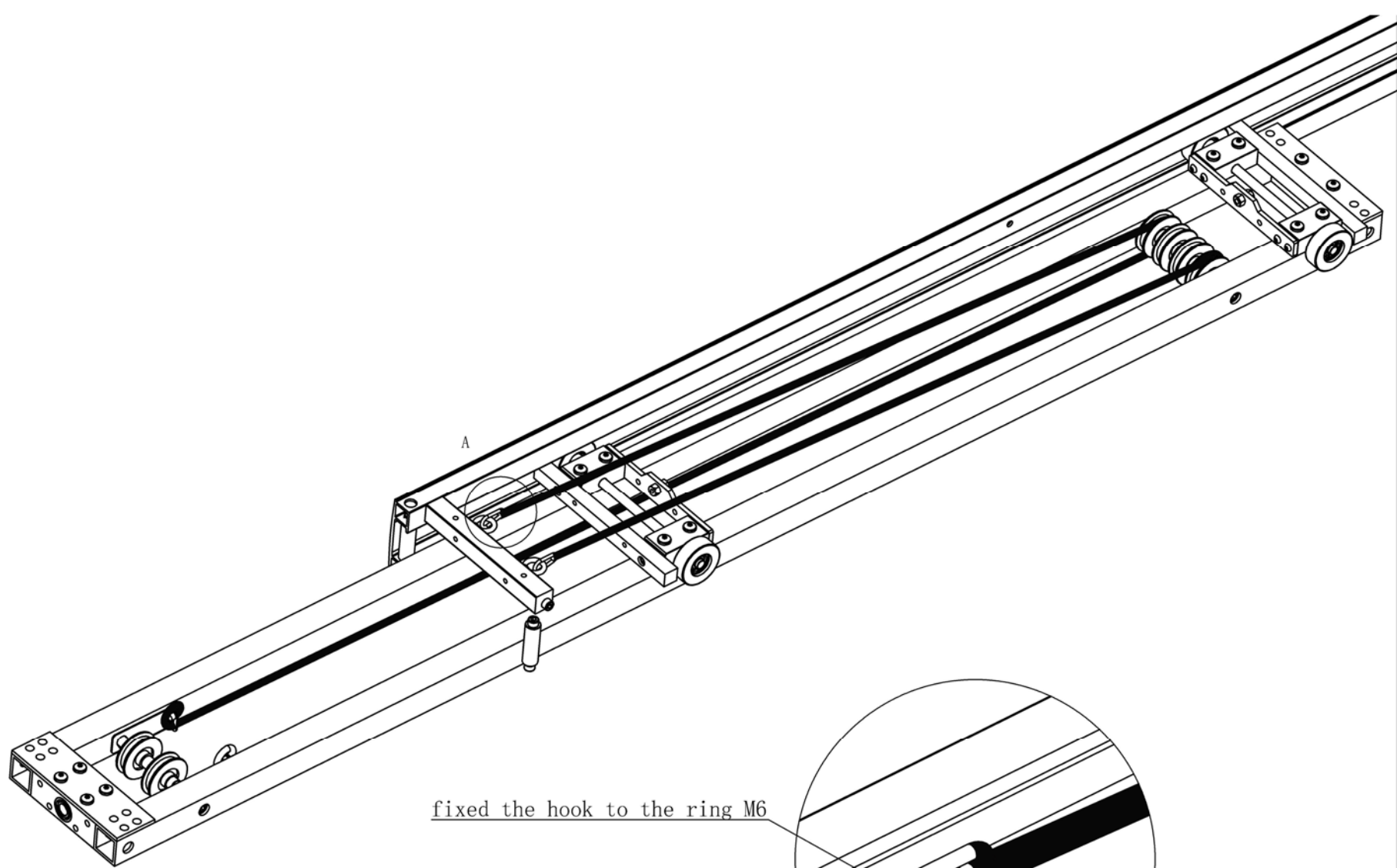


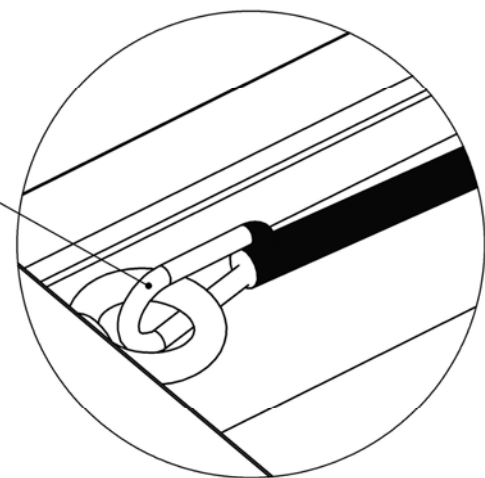
C1N ROPE







fixed the hook to the ring M6



$\frac{A}{1:1}$