

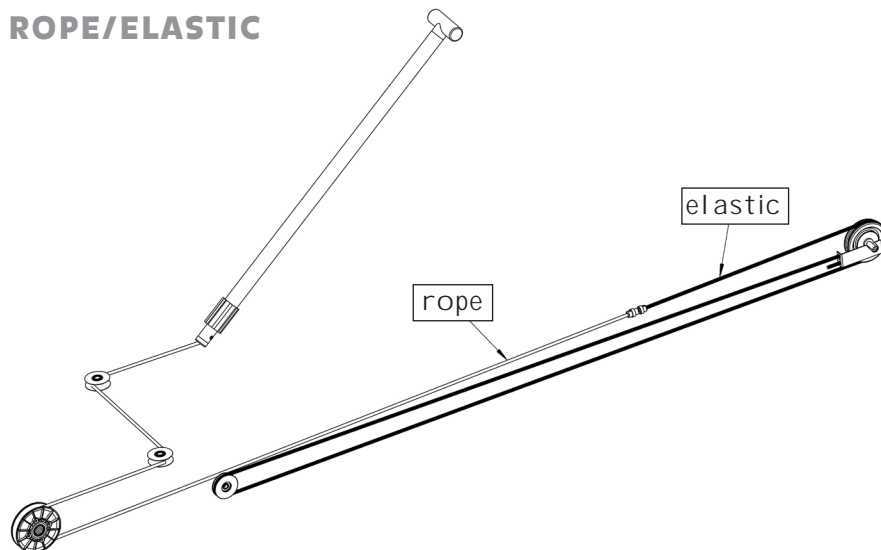
# ROPE & ELASTIC REPLACEMENT

## NOTE:

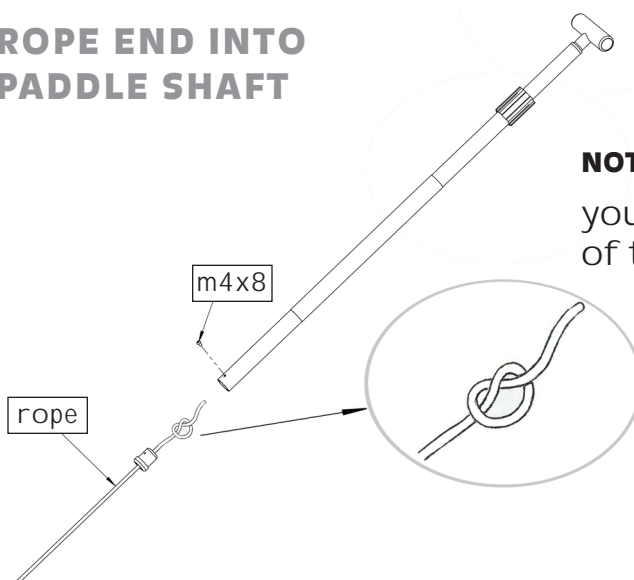
it is important that the rope and elastic are replaced at the same time.

ropes and elastic should only be replaced using the KayakPro replacement rope/elastic pack.

this will insure that the recoil for your ergometer is correct.



## ROPE END INTO PADDLE SHAFT



## NOTE:

you can adjust the length of the rope here



TEL 914 740 5055  
FAX 775 371 1018  
CELL 914 310 5899

KAYAKPRO USA LLC  
6538 COLLINS AVE SUITE 306  
MIAMI BEACH, FL. 33141



KAYAKPRO USA LLC OFFICIAL SUPPLIERS OF  
KAYAK AND CANOE ERGOMETERS TO THE  
2004, 2008 AND 2012 OLYMPIC GAMES